

# Quartz Crystal

**SERIES 6A, Resistance Welded HC-49/U Package**



## FEATURE

- Height 13.46mm
- A resistance weld completely sealed type
- The tight frequency stability
- Copes with high density mounting and is the optimum for mass production

## ELECTRICAL SPECIFICATIONS

Nominal frequency:	1.843MHz to 150.000MHz
Oscillation mode:	See below table
Operating temperature range	-20°C---+70°C (Typical), -10°C ~ +60°C, -40°C ~ +85°C, or specify
Storage temperature range	-40°C---+85°C
Frequency tolerance:	±30ppm at 25 ±2°C (Typical), or specify
Frequency stability	±30ppm over -20~70 °C (Typical), or specify
Load capacitance:	16pF, 20pF, 30pF, 32pF, series, or specify
Equivalent series resistance	See below table
Parallel capacitance(Co):	7pF Max
Drive level	100 μW Typical
Insulation resistance:	More than 500M Ω AT DC100V

## EQUIVALENT SERIES RESISTANCE(ESR) AND OSCILLATION MODE

Frequency Range	E.S.R (Ω)	Mode	Frequency Range	E.S.R (Ω)	Mode
1.843MHz~1.999MHz	350Max	Fundamental/AT	6.000MHz~6.999MHz	50Max	Fundamental/AT
2.000MHz~2.399MHz	300Max	Fundamental/AT	7.000MHz~9.999MHz	30Max	Fundamental/AT
2.400MHz~2.999MHz	200Max	Fundamental/AT	10.000MHz~12.999MHz	20Max	Fundamental/AT
3.000MHz~3.199MHz	150Max	Fundamental/AT	13.000MHz~30.000MHz	20Max	Fundamental/AT
3.200MHz~3.499 MHz	100Max	Fundamental/AT	24.000MHz~29.999MHz	50Max	Third Overtone
3.500MHz~3.899MHz	90Max	Fundamental/AT	30.000MHz~65.000MHz	40Max	Third Overtone
3.900MHz~4.099MHz	70Max	Fundamental/AT	60.000MHz~99.999MHz	90Max	Third Overtone
4.100MHz~5.999MHz	60Max	Fundamental/A T	100.000MHz~150.000MHz	60Max	Fundamental/AT

# Quartz Crystal

**SERIES 6A, Resistance Welded HC-49/U Package**



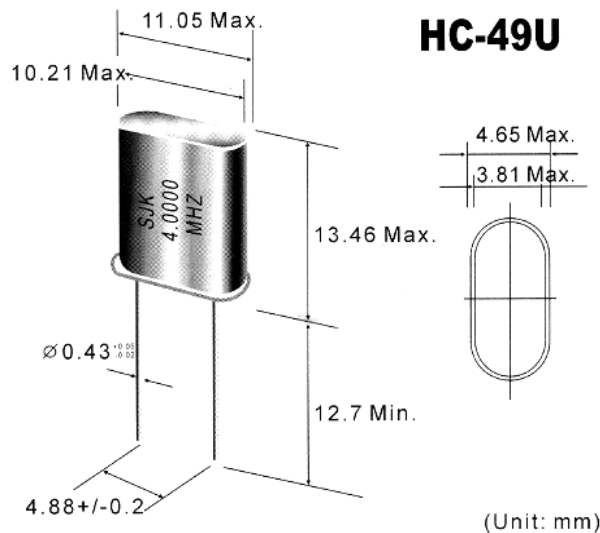
## Mechanical characteristics

Resistance to shock:	$\pm 3\text{PPM Max } \pm 3\Omega \text{ Max}$ , Naturally drop it 3 times on a hard wood plate from 100cm height
Resistance to vibration:	$\pm 3\text{PPM Max } \pm 3\Omega \text{ Max}$

## Reliability

Aging	$\pm 3\text{PPM Max/Year}$
Air tightness	
(1) Gross leak	should be immersed in hot water( $90\pm 5^\circ\text{C}$ ) for 5 minutes
(2) Fine leak	should be less than $5 \times 10^{-8}$ atmcc/sec by helium leak detector
Low drive characteristics	Measured $\Delta 1, \text{C1, 3 point at } 1.0, 10, 100\mu\text{W}$

## Dimension



### PART NUMBER

SJK-6A-	20.000	20	30	40	F	A	50
	Frequency e.g. 20.000:20.000 MHz	Load capacitance e.g. 20.20pf s:series	Frequency tolerance e.g. 30: $\pm 30\text{ppm}$	E.S.R.max e.g. 40: $40\Omega\text{max}$	oscillate mode F:Fundamental 3:3rd overtone 5:5th overtone	operating temperature range A:-10-60 $^\circ\text{C}$ B:-20-70 $^\circ\text{C}$ C:-40-85 $^\circ\text{C}$	temperature stability: e.g. 50: $\pm 50\text{ppm}$