

## FEATURE

- Leadless type.
- Automatic mounting.
- Rugged AT-cut crystal construction
- Suitable for solder reflow.
- Available on tape and reel, 1000pcs per reel
- Ideally suited designed for disc drives, NB, PCs and hand-held electronic products

## ELECTRICAL SPECIFICATIONS

Output Frequency Range	8.000 MHz to 80.000 MHz
Mode	see Table 1*
Frequency Tolerance (at 25°C)	±10ppm ~ ±50ppm, or specify
Frequency Stability Over Operating Temperature Characteristics	-10°C ~+60°C ±30ppm, -20°C ~+70°C ±50ppm or specify
Storage Temperature Range	-55 °C to +125 °C
Operable Temperature Range	-40 °C to + 85 °C
Shunt Capacitance (C0)	5.0 pF Max
Driver Level (Typical)	10μW
Load Capacitance(C <sub>L</sub> )	Series, 16pF, 20pF, 30pF, 32pF, or specify
Equivalent Series Resistance ESR (Ω)	see Table 1*
Aging @25°C 1 <sup>st</sup> year (Max)	±3ppm, ±5ppm/year
Shock Resistance	Drop test of 3 times on 2mm stainless plate from 75cm height

**REMARK:** SPECIFICATIONS SUBJECT TO CHANGE WITHOUT PRIOR NOTICE. PLEASE CONFIRM WITH OUR SALES ENGINEER.

## EQUIVALENT SERIES RESISTANCE(ESR) AND MODE OF OPERATION(MODE)

Frequency Range	E.S.R. (Ω)	Mode
8.000 MHz ~ 10.000 MHz	70 Max	Fundamental / AT
10.000 MHz ~ 40.000 MHz	40 Max	Fundamental / AT
30.000 MHz ~ 45.000 MHz	60 Max	Third Overtone / AT
45.000 MHz ~ 80.000 MHz	50 Max	Third Overtone / AT

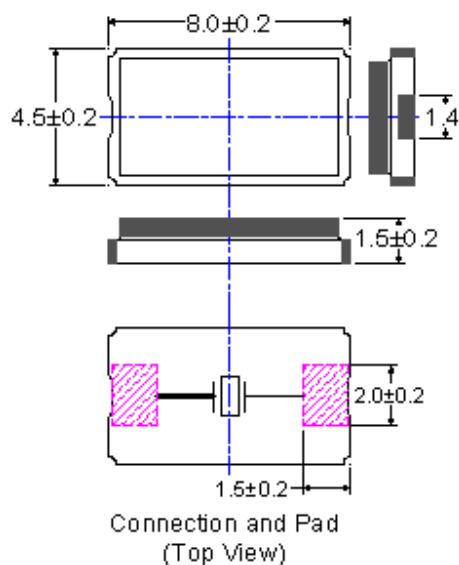
# Quartz crystal

Series 6H, GLASS SEALED CERAMIC 8 X 4.5MM Surface Mount Package

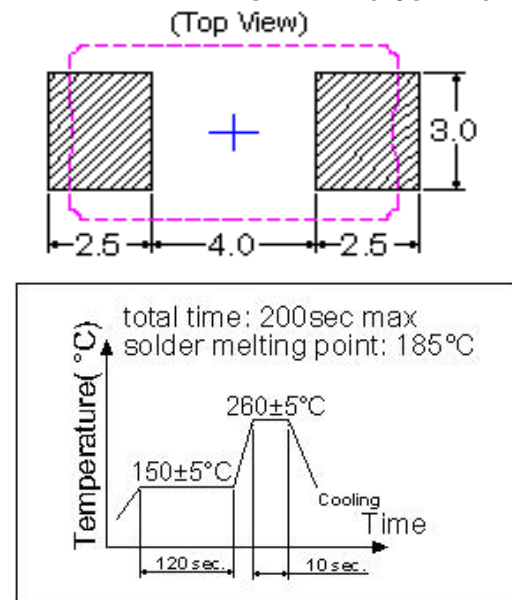


## MARKING AND DIMENSIONS

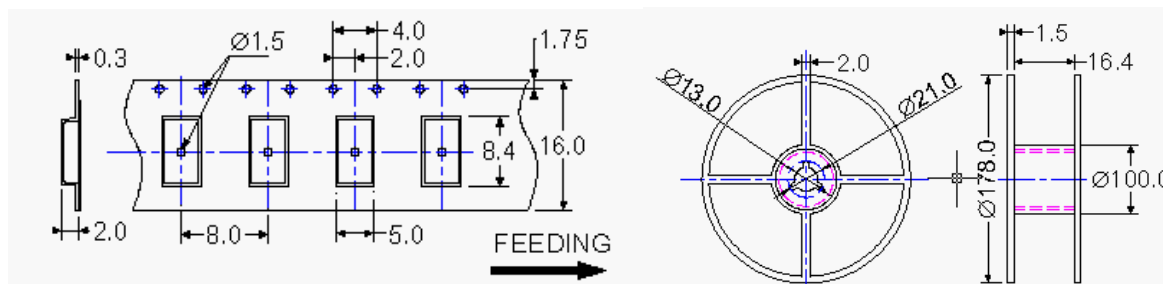
Dimensions (Unit: mm)



Reference Land pattern (Typical)



## Packing



## PART NUMBER

SJK - 6H	16 Frequency e.g. 16:±16MHz	20 Load capacitance e.g. 20:20pf s:series	30 Frequency tolerance e.g. 30:±30ppm	100 E.S.R.max e.g. 100:100Ωmax	F Oscillate mode F:Fundamental 3:3rd overtone 5:5th overtone	A Operating temperature range A:-10-60°C B:-20-70°C C:-40-85°C	50 Temperature stability: e.g. 50:±50ppm
----------	--------------------------------------	--	---	---	--	--	--