

FEATURE

- Ultra thin, thickness 1.0mm
- Leadless type
- High precision characteristic covering up to high frequency range
- Automatic mounting
- Embossed taping specification
- Suitable for solder reflow

ELECTRICAL SPECIFICATIONS

Output Frequency Range	8.000MHz to 80.000MHz
Mode	See table 1
Frequency Tolerance (at 25°C)	±30ppm ~ ±50ppm, or specify
Frequency Stability Over Operating Temperature Characteristics	±30ppm ~ ±50ppm, or specify
Storage Temperature Range	-40°C to 85°C
Operating Temperature Range	-10 °C to + 60 °C -20 °C to + 70 °C or specify
Shunt Capacitance (C ₀)	5.0 pF Max
Driver Level (Typical)	100µW
Load Capacitance(C _L)	Series, 16pF, 20pF, 30pF, 32pF, or specify
Equivalent Series Resistance ESR (Ω)	See table 1
Aging @25°C 1 st year (Max)	±3ppm/year
Shock Resistance	Drop test of 3 times on 2mm stainless plate from 75cm height

REMARK: SPECIFICATIONS SUBJECT TO CHANGE WITHOUT PRIOR NOTICE. PLEASE CONFIRM WITH OUR SALES ENGINEER.

Frequency and Equivalent Series Resistant

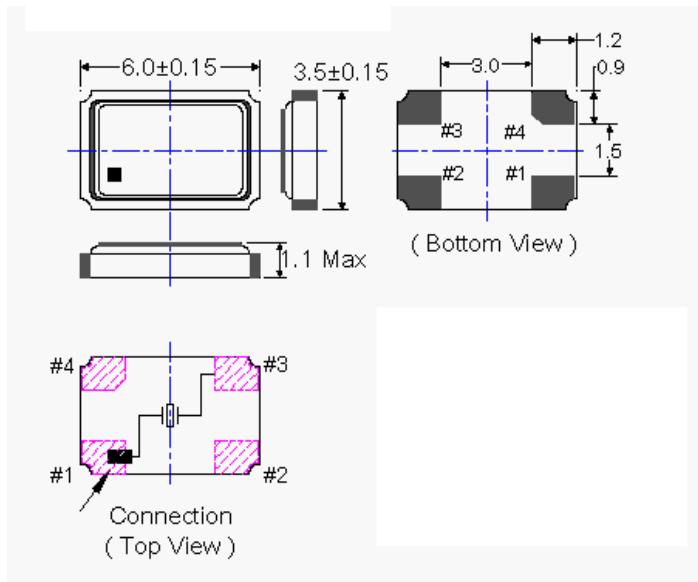
Frequency Range	E.S.R. (Ω)	Mode
8.000MHz ~ 9.999MHz	70 Max.	Fundamental / AT
10.00MHz ~ 29.999MHz	40 Max.	Fundamental / AT
30.000MHz ~ 44.999MHz	60 Max.	Third Overtone / AT
45.000MHz ~ 80.000MHz	50 Max.	Third Overtone / AT

Quartz Crystal

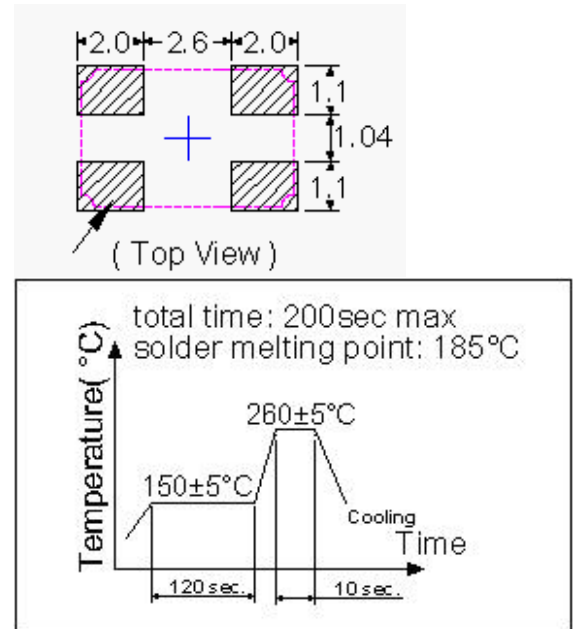


SJK-6G Series, SEAM SEALED CERAMIC 6 X 3.5MM Surface Mount Package

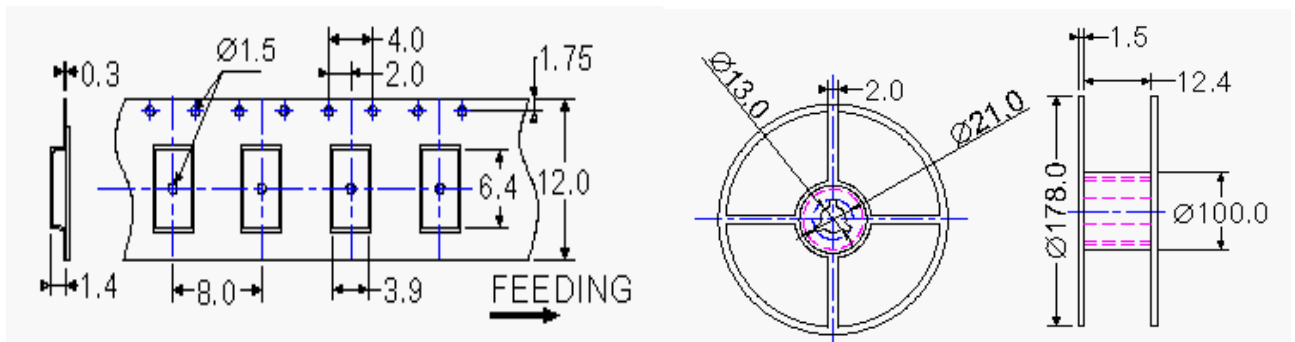
Dimension



Reference Land Pattern



PACKING



PART NUMBER SYSTEM

SJK-6G-	16.000	20	20	40	A	20
	Frequency e.g. 16:±16MHz	Load capacitance e.g. 20:20pF s: series	Frequency tolerance e.g. 20:±20ppm	E.S.R.max e.g. 40:40Ωmax	Operating temperature range A:-10-60°C B:-20-70°C C:-40-85°C	Temperature stability: e.g. 20:±20ppm